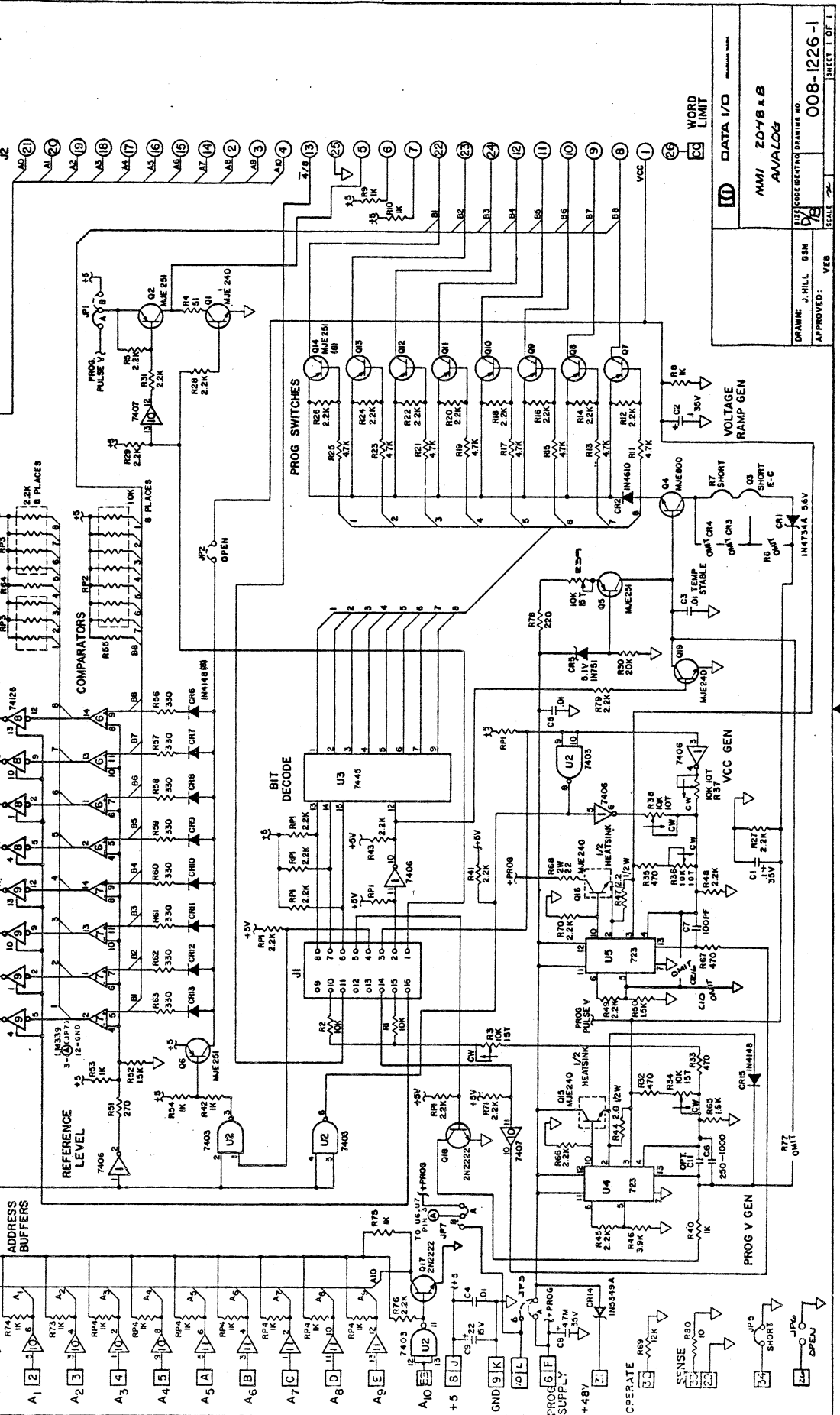


REVISIONS		DATE	REVISIONS
1	REVISED	06-27-76	REV GSH
2	REVISED	11-12-76	REV GSH
3	REVISED	01-12-78	REV GSH
4	REVISED	08-30-78	REV GSH
5	REVISED	08-30-78	REV GSH

ZONE/TH	DESCRIPTION	DATE	REVISIONS
K	CM # 1555 REDRAWN T-7-77	06-27-76	REV GSH
L	CM # 1552 REDRAWN T-7-77	11-12-76	REV GSH
M	CM # 2122-V	01-12-78	REV GSH
N	CM # 2310	08-30-78	REV GSH



10	DATA I/O	WORD LIMIT
11	MMI Z07B & B	ANALOG
12	DRAWN: J. HILL	DATE: 08-30-78
13	APPROVED: VEB	SCALE: 1:1
14	PROJECT CODE IDENTIFIED DRAWING NO.	008-1226-1
15	SHEET	OF 1